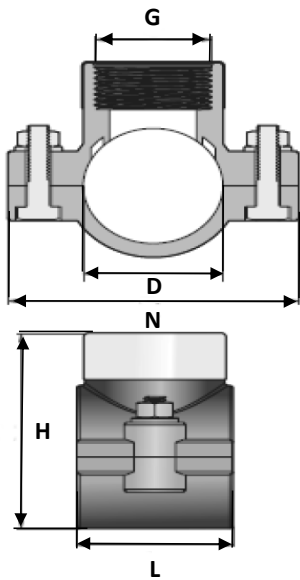
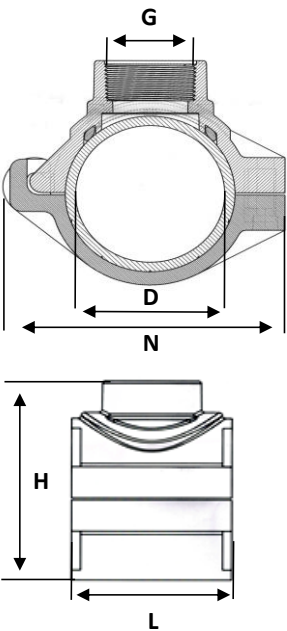


# PP SADDLES



## CEPEX IPS 2-BOLT x FIPT OUTLET

SIZE	CODE	D	G	N	H	L
1-1/2" x 3/4"	LPS-150075SS	1.90	3/4"	3.35	2.93	1.97
1-1/2" X 1"	LPS-150100SS	1.90	1"	3.35	2.93	1.97



## TLC IPS HINGED 2-BOLT x FIPT OUTLET

SIZE	CODE	D	G	N	H	L
2" x 1/2"	LPS-200050SS	2.38	1/2"	4.37	3.78	3.00
2" x 3/4"	LPS-200075SS	2.38	3/4"	4.37	3.78	3.00
2" x 1"	LPS-200100SS	2.38	1"	4.37	3.78	3.00
2" x 1-1/4"	LPS-200125SS	2.38	1-1/4"	4.37	3.78	3.00
2" x 1-1/2"	LPS-200150SS	2.38	1-1/2"	4.37	3.78	3.00
3" x 3/4"	LPS-300075SS	3.50	3/4"	5.50	5.00	3.63
3" x 1"	LPS-300100SS	3.50	1"	5.50	5.00	3.63
3" x 1-1/4"	LPS-300125SS	3.50	1-1/4"	5.50	5.00	3.63
3" x 1-1/2"	LPS-300150SS	3.50	1-1/2"	5.50	5.00	3.63
3" x 2"	LPS-300200SS	3.50	2"	5.50	5.00	3.63
4" x 3/4"	LPS-400075SS	4.50	3/4"	6.57	6.14	3.88
4" x 1"	LPS-400100SS	4.50	1"	6.57	6.14	3.88
4" x 1-1/4"	LPS-400125SS	4.50	1-1/4"	6.57	6.14	3.88
4" x 1-1/2"	LPS-400150SS	4.50	1-1/2"	6.57	6.14	3.88
4" x 2"	LPS-400200SS	4.50	2"	6.57	6.14	3.88

The Lateral Connection Corp. **TLC**  
 North American Sales & Distribution Center