

# ELECTROFUSION IN LINE TEES



**PE4710 / PE100**

*1" IPS - 4" IPS*

Plasson USA Electrofusion Fittings are specifically designed for reliable, high performance pipe joining and long system life. The Plasson automated Electrofusion system has been proven to be the most economical due to the low potential for operator error.

Plasson USA Electrofusion In Line Tees have long penetration depths and fusion zones which ensure high quality joints.



INDUSTRIAL



GAS



MINING



WATER



FIRE  
PROTECTION



LANDFILL

# ELECTROFUSION IN LINE TEES

Available sizes: 1" IPS - 4" IPS

40 Volts, 4.0MM Pin with Universal Barcode

Fusion and Cooling times are clearly marked on the barcode of every fitting. This information may also be obtained with the barcode reader.

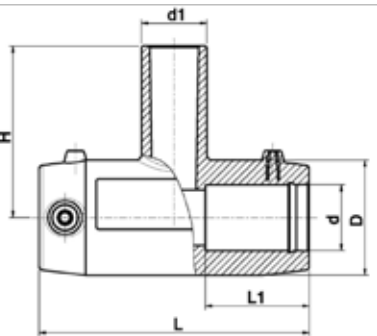
Plasson USA Electrofusion Fittings are designed, tested and quality controlled in accordance with Plasson's internal standards. Plasson USA Electrofusion Fittings meet or exceed the following standards:

- ASTM D2513      ASTM F1055      ASTM F2897
- ISO 8085      ISO 14236
- AWWA C906      FM 1613 (FM Approved Fittings Only)

## PRODUCT DATA

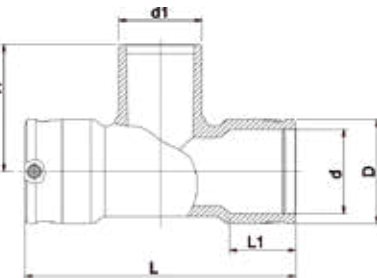
PRODUCT CODE	PRODUCT DESCRIPTION	PRIMARY DIMENSION	PRESSURE RATING GAS	PRESSURE CLASS (WATER)	FITTING RAW MATERIAL	AMBIENT FUSION TEMPERATURE
5904B	Equal TEE	1" IPS - 4" IPS	125 PSI	160 PSI	PE 4710/PE 100	14 - 113 °F

## DIMENSIONS



ITEM NUMBER	PIPE SIZE	d inch (mm)	d1 inch (mm)	D inch (mm)	L inch (mm)	L1 inch (mm)	H inch (mm)	Ω @ 20°C ohms	FUSE TIME (sec.)	COOL TIME (min.)	WEIGHT lb (g)
5904B003010	1 IPS	1.35 (33.8)	1.34 (33.4)	1.75 (44)	4.09 (104)	1.48 (40)	2.83 (72)	2.030	30	5	83
5904B003013	1¼ IPS	1.70 (42.6)	1.69 (42.2)	2.19 (56)	4.76 (121)	1.71 (44)	3.31 (84)	2.030	70	5	166
5904B003015	1½ IPS	1.95 (48.8)	1.93 (48.3)	2.67 (68)	5.47 (139)	1.91 (49)	3.74 (95)	2.570	120	10	259
5904B003020	2 IPS	2.44 (60.9)	2.41 (60.3)	3.23 (82)	6.54 (166)	2.26 (58)	4.37 (111)	1.334	80	5	452

## DIMENSIONS



ITEM NUMBER	PIPE SIZE	d inch (mm)	d1 inch (mm)	D inch (mm)	L inch (mm)	L1 inch (mm)	H inch (mm)	Ω @ 20°C ohms	FUSE TIME (sec.)	COOL TIME (min.)	WEIGHT lb (g)
5904B003030	3 IPS	3.58 (89.4)	3.56 (88.9)	4.41 (112)	11.5 (293)	2.78 (70)	5.39 (137)	0.723	90	10	2.4 (1130)
5904B003040	4 IPS	4.51 (114.5)	4.50 (114.3)	5.67 (144)	13.00 (330)	2.75 (70)	6.30 (160)	0.594	140	14	2.93 (1880)

