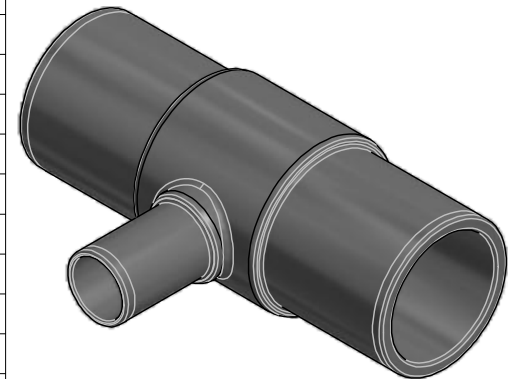


CODE	ND1 (IPS)	OD1	S1 min	L1	ND2 (IPS)	OD2	S2 min	L2	D	L
12EITRS02034	2	2.375	0.216	2.76	3/4	1.050	0.095	1.97	5.08	9.45
12EITRS0201	2	2.375	0.216	2.76	1	1.315	0.119	1.97	5.08	9.45
12EITRS02114	2	2.375	0.216	2.76	1 1/4	1.660	0.151	2.17	5.08	9.45
12EITRS0301	3	3.500	0.318	3.31	1	1.315	0.119	2.36	6.56	10.00
12EITRS03114	3	3.500	0.318	3.31	1 1/4	1.660	0.151	2.36	6.56	10.00
12EITRS0302	3	3.500	0.318	3.31	2	2.375	0.216	2.76	6.95	10.00
12EITRS04114	4	4.500	0.409	3.43	1 1/4	1.660	0.151	2.17	7.32	12.60
12EITRS0402	4	4.500	0.409	3.43	2	2.375	0.216	2.76	7.84	12.60
12EITRS0403	4	4.500	0.409	3.43	3	3.500	0.318	3.31	8.32	12.20
12EITRS0602	6	6.625	0.603	4.72	2	2.375	0.216	2.76	9.80	17.87
12EITRS0603	6	6.625	0.603	4.72	3	3.500	0.318	3.31	10.47	17.87
12EITRS0604	6	6.625	0.603	4.72	4	4.500	0.409	3.43	10.87	17.87
12EITRS0804	8	8.625	0.785	5.51	4	4.500	0.409	3.43	13.13	22.05
12EITRS0806	8	8.625	0.785	5.51	6	6.625	0.603	4.72	14.43	22.05



EloFIT



ITEM: **EITRS**

DESC: LONG SPIGOT 90° REDUCING TEE
PE4710 230 PSI SDR11



DRAWING No:
EL10041

SHEET OF REV.
1 1 -2

www.nupiamericas.com - info@nupiamericas.com

All dimensions have to be considered in inches with 5% tolerance if not otherwise mentioned