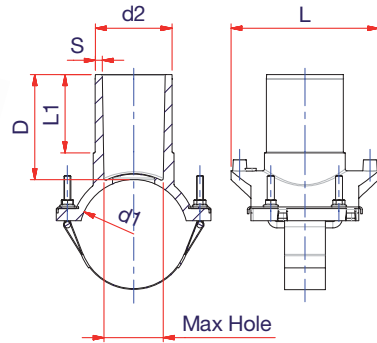
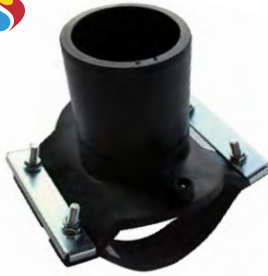


ELECTROFUSION FITTINGS



**BRANCH SADDLE
WITH BELT**

PE4710 230 PSI

Code	Nominal Size IPS	Max SDR	pcs/box	Q.ty pallet	Weight kg./p.	Volume m ³ /p.	d1	d2 (IPS)	S	L1	L	D	Max Hole
12EICOL03114	3" x 1-1/4"	7.4	40	480	0.500	0.0027	3"	1-1/4"	0.15	3.35	5.59	4.03	1.29
12EICOL04114	4" x 1-1/4"	7.4	30	360	0.500	0.0027	4"	1-1/4"	0.15	3.35	5.59	4.03	1.29
12EICOL06114	6" x 1-1/4"	7.4	30	360	0.500	0.0027	6"	1-1/4"	0.15	3.35	5.59	4.03	1.29
12EICOL08114	8" x 1-1/4"	7.4	30	360	0.500	0.0027	8"	1-1/4"	0.15	3.35	5.59	4.03	1.29
12EICOL10114	10" x 1-1/4"	7.4	30	360	0.500	0.0027	10"	1-1/4"	0.15	3.35	5.59	4.03	1.29
12EICOL12114	12" x 1-1/4"	7.4	30	360	0.500	0.0027	12"	1-1/4"	0.15	3.35	5.59	4.03	1.29
12EICOL0302	3" x 2"	7.4	30	360	0.500	0.0027	3"	2"	0.22	3.35	5.59	4.03	1.73
12EICOL0402	4" x 2"	7.4	30	360	0.500	0.0027	4"	2"	0.22	3.35	5.59	4.03	1.73
12EICOL0602	6" x 2"	7.4	30	360	0.500	0.0027	6"	2"	0.22	3.35	5.59	4.03	1.73
12EICOL0802	8" x 2"	7.4	30	360	0.500	0.0027	8"	2"	0.22	3.35	5.59	4.03	1.73
12EICOL1002	10" x 2"	7.4	30	360	0.500	0.0027	10"	2"	0.22	3.35	5.59	4.03	1.73
12EICOL1202	12" x 2"	7.4	30	360	0.500	0.0027	12"	2"	0.22	3.35	5.59	4.03	1.73
12EICOL0303	3" x 3"	7.4	10	120	1.080	0.0080	3"	3"	0.32	3.96	6.69	5.16	2.70
12EICOL0403	4" x 3"	7.4	15	180	1.027	0.0053	4"	3"	0.32	3.54	6.69	4.64	2.70
12EICOL0603	6" x 3"	7.4	15	180	1.027	0.0053	6"	3"	0.32	3.54	6.69	4.64	2.70
12EICOL0803	8" x 3"	7.4	6	72	1.500	0.0133	8"	3"	0.32	3.54	7.87	4.92	2.70
12EICOL1003	10" x 3"	7.4	6	72	1.500	0.0133	10"	3"	0.32	3.54	7.87	4.92	2.70
12EICOL1203	12" x 3"	7.4	6	72	1.500	0.0133	12"	3"	0.32	3.54	7.87	4.92	2.70
12EICOL0404	4" x 4"	7.4	10	120	1.708	0.0080	4"	4"	0.39	3.74	6.85	5.63	2.76
12EICOL0604	6" x 4"	7.4	8	96	1.525	0.0100	6"	4"	0.39	3.94	7.87	5.12	3.46
12EICOL0804	8" x 4"	7.4	5	60	1.800	0.0160	8"	4"	0.39	3.84	7.87	5.05	3.46
12EICOL1004	10" x 4"	7.4	6	72	1.750	0.0133	10"	4"	0.39	3.84	7.87	5.05	3.46
12EICOL1204	12" x 4"	7.4	5	60	1.780	0.0160	12"	4"	0.39	3.84	7.87	5.05	3.46

Fittings may be fused on pipe with SDR'S 7.0 to 17.0