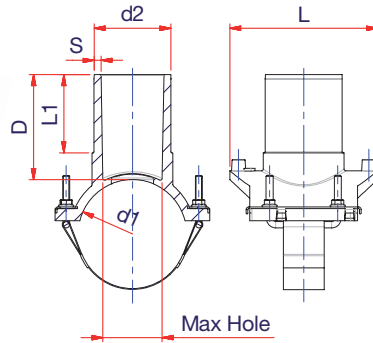


ELECTROFUSION FITTINGS



**BRANCH SADDLE
WITH BELT**

PE4710 230 PSI

Code	Nominal Size	Max SDR	pcs/box	Q.ty pallet	Weight kg./p.	Volume m ³ /p.	d1	d2	S	L1	L	D	Max Hole
12EICOL0312C	3" x 1/2" CTS	7.4	30	360	0.440	0.0027	3"	1/2" CTS	0.10	3.35	5.59	4.03	0.36
12EICOL0412C	4" x 1/2" CTS	7.4	30	360	0.440	0.0027	4"	1/2" CTS	0.10	3.35	5.59	4.03	0.36
12EICOL0612C	6" x 1/2" CTS	7.4	30	360	0.440	0.0027	6"	1/2" CTS	0.10	3.35	5.59	4.03	0.36
12EICOL0812C	8" x 1/2" CTS	7.4	30	360	0.440	0.0027	8"	1/2" CTS	0.10	3.35	5.59	4.03	0.36
12EICOL1012C	10" x 1/2" CTS	7.4	30	360	0.440	0.0027	10"	1/2" CTS	0.10	3.35	5.59	4.03	0.36
12EICOL1212C	12" x 1/2" CTS	7.4	30	360	0.440	0.0027	12"	1/2" CTS	0.10	3.35	5.59	4.03	0.36
12EICOL0334	3" x 3/4" IPS	7.4	30	360	0.440	0.0027	3"	3/4" IPS	0.09	3.35	5.59	4.03	0.77
12EICOL0434	4" x 3/4" IPS	7.4	40	480	0.440	0.0027	4"	3/4" IPS	0.09	3.35	5.59	4.03	0.77
12EICOL0634	6" x 3/4" IPS	7.4	30	360	0.440	0.0027	6"	3/4" IPS	0.09	3.35	5.59	4.03	0.77
12EICOL0834	8" x 3/4" IPS	7.4	30	360	0.440	0.0027	8"	3/4" IPS	0.09	3.35	5.59	4.03	0.77
12EICOL1034	10" x 3/4" IPS	7.4	30	360	0.440	0.0027	10"	3/4" IPS	0.09	3.35	5.59	4.03	0.77
12EICOL1234	12" x 3/4" IPS	7.4	30	360	0.440	0.0027	12"	3/4" IPS	0.09	3.35	5.59	4.03	0.77
12EICOL0301C	3" x 1" CTS	7.4	30	360	0.440	0.0027	3"	1" CTS	0.10	3.35	5.59	4.03	0.86
12EICOL0401C	4" x 1" CTS	7.4	30	360	0.440	0.0027	4"	1" CTS	0.10	3.35	5.59	4.03	0.86
12EICOL0601C	6" x 1" CTS	7.4	30	360	0.440	0.0027	6"	1" CTS	0.10	3.35	5.59	4.03	0.86
12EICOL0801C	8" x 1" CTS	7.4	30	360	0.440	0.0027	8"	1" CTS	0.10	3.35	5.59	4.03	0.86
12EICOL1001C	10" x 1" CTS	7.4	30	360	0.440	0.0027	10"	1" CTS	0.10	3.35	5.59	4.03	0.86
12EICOL1201C	12" x 1" CTS	7.4	30	360	0.440	0.0027	12"	1" CTS	0.10	3.35	5.59	4.03	0.86
12EICOL0301	3" X 1" IPS	7.4	30	360	0.440	0.0027	3"	1" IPS	0.12	3.35	5.59	4.03	1.02
12EICOL0401	4" X 1" IPS	7.4	30	360	0.440	0.0027	4"	1" IPS	0.12	3.35	5.59	4.03	1.02
12EICOL0601	6" X 1" IPS	7.4	30	360	0.440	0.0027	6"	1" IPS	0.12	3.35	5.59	4.03	1.02
12EICOL0801	8" X 1" IPS	7.4	30	360	0.440	0.0027	8"	1" IPS	0.12	3.35	5.59	4.03	1.02
12EICOL1001	10" X 1" IPS	7.4	30	360	0.440	0.0027	10"	1" IPS	0.12	3.35	5.59	4.03	1.02
12EICOL1201	12" X 1" IPS	7.4	30	360	0.440	0.0027	12"	1" IPS	0.12	3.35	5.59	4.03	1.02

Fittings may be fused on pipe with SDR'S 7.0 to 17.0