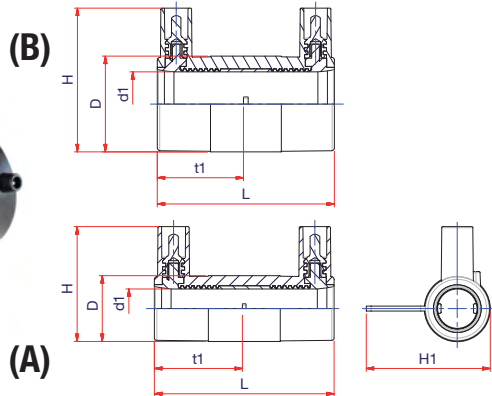


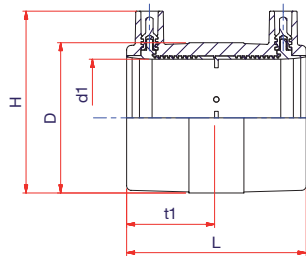
ELECTROFUSION FITTINGS



**CTS
ELECTROFUSION COUPLER**

PE4710 230PSI

Code	Nominal Size CTS	Min DR	pcs/box	Q.ty pallet	Weight kg./p.	Volume m ³ /p.	d1 (CTS)	D	H	L	t1	H1
12EIME012C (A)	1/2"	10.00	30	2,880	0.053	0.0003	1/2"	1.06	1.89	2.91	1.42	2.01
12EIME01C (B)	1"	12.50	40	1,920	0.069	0.0004	1"	1.59	2.40	2.91	1.42	-



**IPS
ELECTROFUSION COUPLER**

PE4710 230PSI

Code	Nominal Size IPS	Min DR	pcs/box	Q.ty pallet	Weight kg./p.	Volume m ³ /p.	d1 (IPS)	D	H	L	t1
12EIME034	3/4"	11.00	40	1,920	0.074	0.0004	3/4"	1.59	2.40	2.91	1.41
12EIME01	1"	11.00	40	1,920	0.000	0.0000	1"	1.79	2.40	2.91	1.41
12EIME114	1-1/4"	11.00	30	1,440	0.117	0.0006	1-1/4"	2.16	2.91	3.26	1.57
12EIME02	2"	17.00	16	768	0.263	0.0011	2"	3.11	3.88	5.12	2.52
12EIME03	3"	17.00	32	384	0.531	0.0025	3"	4.45	5.04	5.90	2.91
12EIME04	4"	17.00	22	264	0.791	0.0036	4"	5.59	6.14	6.30	3.11
12EIME06	6"	17.00	24	96	1.608	0.0090	6"	8.03	8.42	7.28	3.60
12EIME08	8"	17.00	24	48	4.150	0.0212	8"	11.02	11.02	7.08	3.54