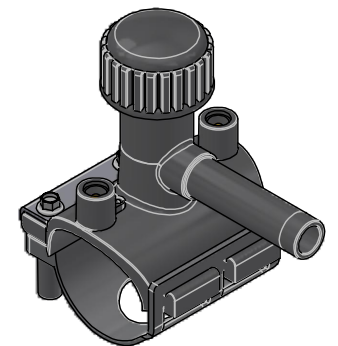


CODE	ND1	OD1	ND2	OD2	S	H	L1	L2	L	D	Max Hole
12EIPRES11412C	1 1/4" IPS	1.660	1/2" CTS	0.625	0.104	0.90	2.75	3.94	3.94	3.74	0.71
12EIPRES0212C	2" IPS	2.375	1/2" CTS	0.625	0.104	0.98	2.79	3.94	3.94	3.74	0.71
12EIPRES0312C	3" IPS	3.500	1/2" CTS	0.625	0.104	0.87	2.13	3.94	3.94	3.95	0.71
12EIPRES0412C	4" IPS	4.500	1/2" CTS	0.625	0.104	0.87	2.87	3.94	3.94	3.95	0.71
12EIPRES0612C	6" IPS	6.625	1/2" CTS	0.625	0.104	1.00	2.87	3.94	3.94	4.33	0.71
12EIPRES11412	1 1/4" IPS	1.660	1/2" IPS	0.840	0.076	0.90	2.75	3.94	3.94	3.74	0.71
12EIPRES0212	2" IPS	2.375	1/2" IPS	0.840	0.076	0.98	2.79	3.94	3.94	3.74	0.71
12EIPRES0312	3" IPS	3.500	1/2" IPS	0.840	0.076	0.87	2.13	3.94	3.94	3.95	0.71
12EIPRES0412	4" IPS	4.500	1/2" IPS	0.840	0.076	0.87	2.87	3.94	3.94	3.95	0.71
12EIPRES0612	6" IPS	6.625	1/2" IPS	0.840	0.076	1.00	2.87	3.94	3.94	4.33	0.71
12EIPRES11434	1 1/4" IPS	1.660	3/4" IPS	1.050	0.095	0.90	2.75	3.94	3.94	3.74	0.71
12EIPRES0234	2" IPS	2.375	3/4" IPS	1.050	0.095	0.98	2.79	3.94	3.94	3.74	0.71
12EIPRES0334	3" IPS	3.500	3/4" IPS	1.050	0.095	0.87	2.56	3.94	3.94	3.95	0.71
12EIPRES0434	4" IPS	4.500	3/4" IPS	1.050	0.095	0.87	2.85	3.94	3.94	3.95	0.71
12EIPRES0634	6" IPS	6.625	3/4" IPS	1.050	0.095	1.00	2.85	3.94	3.94	4.33	0.71



**EloFIT**



ITEM: **EIPRES**

DESC: TAPPING TEE WITH RIGID UNDER CLAMP  
PE4710 SDR11

C:\Vault\_Temp\Disegn\ISchede Tecniche\Elofit\inches\Electrofusion Fittings\EL10019.dwg

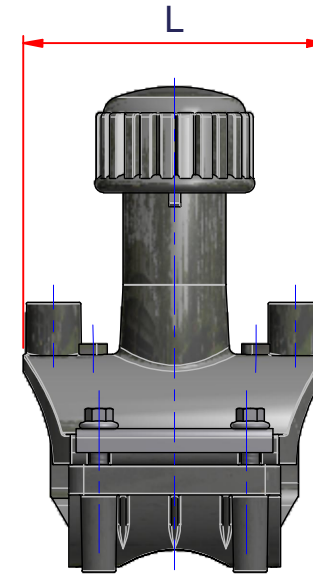
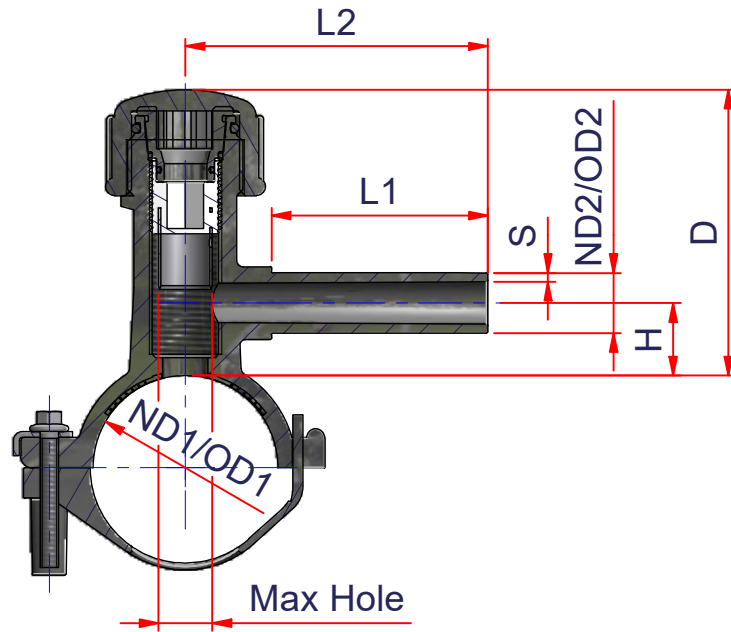


DRAWING No:  
**EL10019**

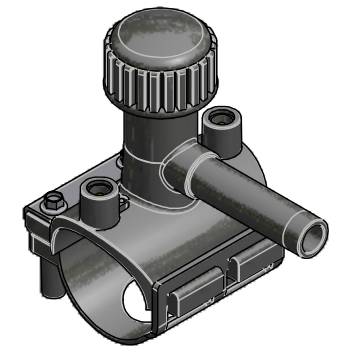
SHEET OF REV.  
**1 3 -4**

www.nupiamericas.com - info@nupiamericas.com

All dimensions have to be considered in inches with 5% tolerance if not otherwise mentioned excluding values as per standard ASTM D2513/D3261 and/or AWWA C901/C906



CODE	ND1	OD1	ND2	OD2	S	H	L1	L2	L	D	Max Hole
12EIPRES11401C	1 1/4" IPS	1.660	1" CTS	1.125	0.101	0.90	2,75	3.94	3.94	3.74	0.71
12EIPRES0201C	2" IPS	2.375	1" CTS	1.125	0.101	0.94	2.79	3.94	3.94	3.74	0.71
12EIPRES0301C	3" IPS	3.500	1" CTS	1.125	0.101	0.87	2.56	3.94	3.94	3.95	0.71
12EIPRES0401C	4" IPS	4.500	1" CTS	1.125	0.101	0.87	2.95	3.94	3.94	3.95	0.71
12EIPRES0601C	6" IPS	6.625	1" CTS	1.125	0.101	1.00	2.75	3.94	3.94	4.33	0.71
12EIPRES11401	1 1/4" IPS	1.660	1" IPS	1.315	0.236	0.90	2.75	3.94	3.94	3.74	0.71
12EIPRES0201	2" IPS	2.375	1" IPS	1.315	0.236	0.94	2.70	3.94	3.94	3.74	0.71
12EIPRES0301	3" IPS	3.500	1" IPS	1.315	0.236	0.87	2.56	3.94	3.94	3.95	0.71
12EIPRES0401	4" IPS	4.500	1" IPS	1.315	0.236	0.87	2.75	3.94	3.94	3.95	0.71
12EIPRES0601	6" IPS	6.625	1" IPS	1.315	0.236	1.00	2.75	3.94	3.94	4.33	0.71



**EloFIT**



ITEM: **EIPRES**

DESC: TAPPING TEE WITH RIGID UNDER CLAMP  
PE4710 SDR11

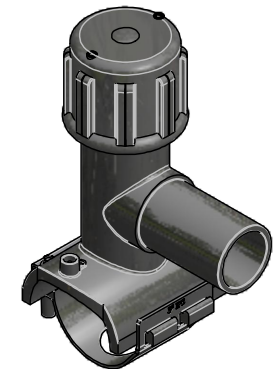
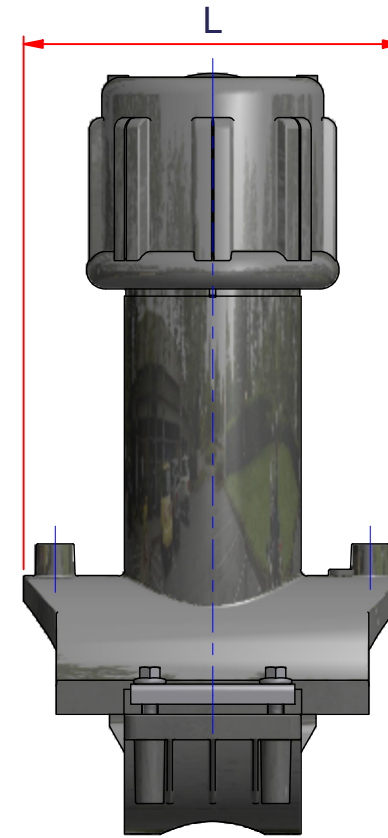
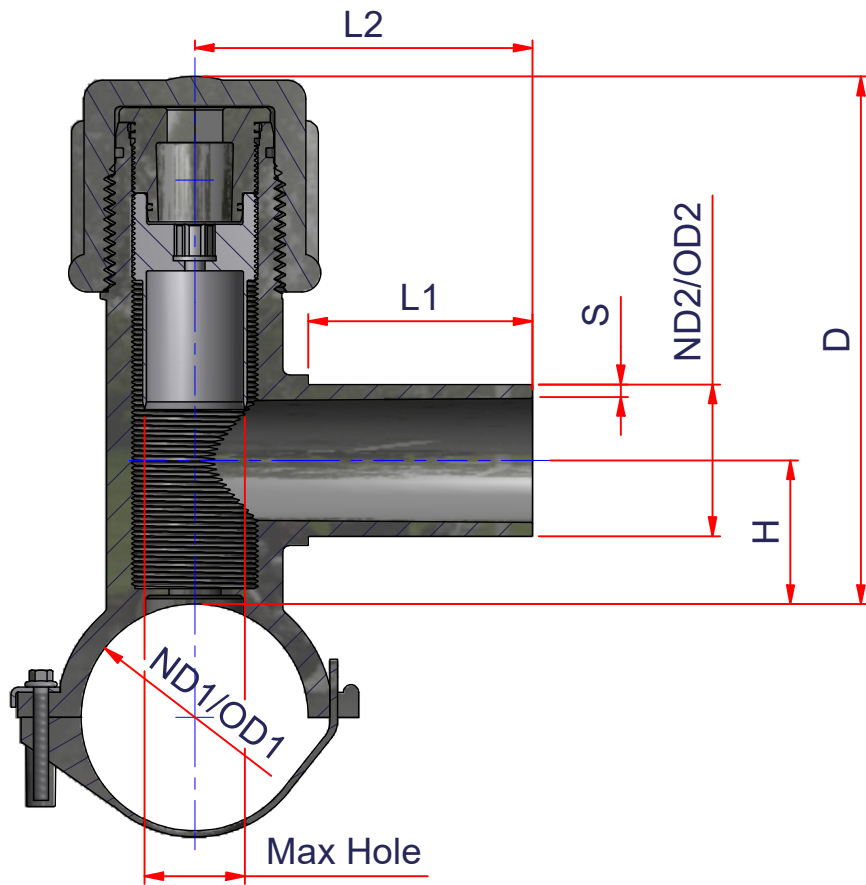


DRAWING No:  
**EL10019**

SHEET OF REV.  
2 3 -4

www.nupiamericas.com - info@nupiamericas.com

All dimensions have to be considered in inches with 5% tolerance if not otherwise mentioned excluding values as per standard ASTM D2513/D3261 and/or AWWA C901/C906



CODE	ND1	OD1	ND2	OD2	S	H	L1	L2	L	D	Max Hole
12EIPRES02114	2" IPS	2.375	1 1/4" IPS	1.660	0.151	1.26	2.75	3.94	4.68	5.04	0.90
12EIPRES0202	2" IPS	2.375	2" IPS	2.375	0.216	1.14	2.44	3.94	5.12	5.71	1.22
12EIPRES0302	3" IPS	3.500	2" IPS	2.375	0.216	2.32	3.54	5.31	4.56	8.26	1.58
12EIPRES0402	4" IPS	4.500	2" IPS	2.375	0.216	2.32	3.54	5.31	4.56	8.26	1.58

**EloFIT**



ITEM: **EIPRES**

C:\Vault\_Temp\Disegn\Scheme Tecniche\Elofit inches\Electrofusion Fittings\EL10019.dwg

DESC: TAPPING TEE WITH RIGID UNDER CLAMP  
PE4710 SDR11



DRAWING No:  
**EL10019**

SHEET OF REV.  
**3 3 -4**

www.nupiamericas.com - info@nupiamericas.com

All dimensions have to be considered in inches with 5% tolerance if not otherwise mentioned excluding values as per standard ASTM D2513/D3261 and/or AWWA C901/C906