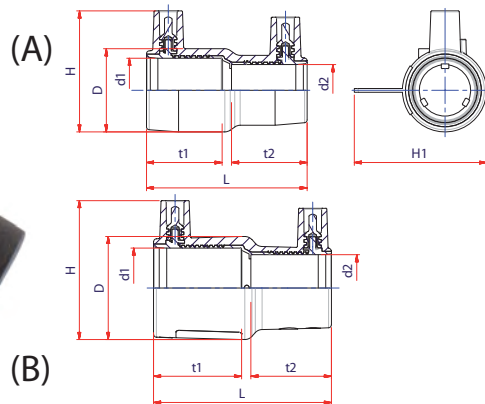


ELECTROFUSION FITTINGS



ELECTROFUSION REDUCER

PE4710 230PSI

Code	Nominal Size	Min DR	pcs/ box	Q.ty pallet	Weight kg./p.	Volume m ³ /p.	d1	t1	d2	t2	D	L	H	H1
12EIRDE034012C(A)	3/4" IPS x 1/2" CTS	11.00	1	96	-	-	3/4" IPS	1.57	1/2" CTS	1.45	1.69	3.34	2.51	2.54
12EIRDE034012(A)	3/4" IPS x 1/2" IPS	11.00	1	-	-	-	3/4" IPS	1.57	1/2" IPS	1.45	1.73	3.34	2.51	2.75
12EIRDE01C012C(A)	1" CTS x 1/2" CTS	12.50	1	-	-	-	1" CTS	1.57	1/2" CTS	1.45	1.69	3.34	2.51	2.72
12EIRDE01C034(A)	1" CTS x 3/4" IPS	12.50	1	-	-	-	1" CTS	1.57	3/4" IPS	1.57	1.73	3.34	2.51	2.75
12EIRDE01034(A)	1" IPS x 3/4" IPS	11.00	20	1,920	0.083	0.0005	1" IPS	1.57	3/4" IPS	1.57	1.73	3.34	2.51	2.75
12EIRDE114114C(B)	1-1/4" IPS x 1-1/4" CTS	15.30	-	-	-	-	1-1/4" IPS	1.85	1-1/4" CTS	1.69	2.06	3.74	2.92	-
12EIRDE02114(B)	2" IPS x 1-1/4" IPS	17.00	12	576	0.250	0.0014	2" IPS	2.24	1-1/4" IPS	1.77	3.18	4.72	3.93	-
12EIRDE0302(B)	3" IPS x 2" IPS	11.00	30	360	0.507	0.0027	3" IPS	2.89	2" IPS	2.55	4.56	6.00	5.07	-
12EIRDE0402(B)	4" IPS x 2" IPS	11.00	24	288	0.621	0.0033	4" IPS	2.85	2" IPS	2.48	5.19	6.22	5.86	-
12EIRDE0403(B)	4" IPS x 3" IPS	11.00	24	288	0.608	0.0033	4" IPS	2.89	3" IPS	2.67	5.19	6.22	5.86	-
12EIRDE0604(B)	6" IPS x 4" IPS	13.50	10	120	1.480	0.0080	6" IPS	-	4" IPS	-	-	-	-	-