

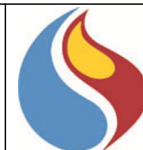
CODE	ND1(IPS)	ID1	L1	D1	ND2(IPS)	ID2	L2	D2	ND3(IPS)	ID3	L3	D3	L5	L	L4	D
12EISTR0101034	1	1.315	0.79	1.10	1	1.315	0.79	1.10	3/4	1.050	0.67	0.87	1.39	3.39	1.58	1.77
12EISTR114114034	1 1/4	1.660	0.91	1.42	1 1/4	1.660	0.91	1.42	3/4	1.050	0.67	0.87	1.38	3.86	1.69	2.16
12EISTR11411401	1 1/4	1.660	0.91	1.42	1 1/4	1.660	0.91	1.42	1	1.315	0.79	1.10	1.77	3.86	1.81	2.16
12EISTR112112034	1 1/2	1.900	0.98	1.69	1 1/2	1.900	0.98	1.69	3/4	1.050	0.67	0.87	1.38	4.57	1.97	2.48
12EISTR11211201	1 1/2	1.900	0.98	1.69	1 1/2	1.900	0.98	1.69	1	1.315	0.79	1.10	1.77	4.57	2.09	2.48
12EISTR112112114	1 1/2	1.900	0.98	1.69	1 1/2	1.900	0.98	1.69	1 1/4	1.660	0.91	1.41	2.16	4.57	2.20	2.48
12EISTR0202034	2	2.375	1.02	2.13	2	2.375	1.02	2.13	3/4	1.050	0.67	0.87	1.38	5.20	2.24	3.07
12EISTR020201	2	2.375	1.02	2.13	2	2.375	1.02	2.13	1	1.315	0.79	1.10	1.77	5.20	2.36	3.07
12EISTR0202114	2	2.375	1.02	2.13	2	2.375	1.02	2.13	1 1/4	1.660	0.91	1.42	2.16	5.20	2.48	3.07

EloFIT



ITEM: **EISTR**

DESC: SOCKET FUSION REDUCED TEE
PE4710 230PSI SDR11

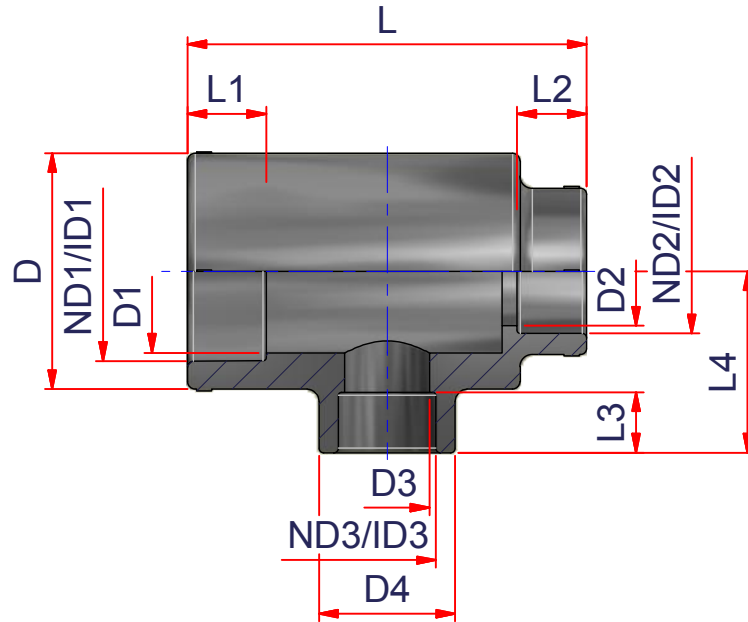


DRAWING No:
EL10031

SHEET OF REV.
1 2 0

www.nupiamericas.com - info@nupiamericas.com

All dimensions have to be considered in inches with 5% tolerance if not otherwise mentioned



CODE	ND1(IPS)	ID1	L1	D1	ND2(IPS)	ID2	L2	D2	ND3(IPS)	ID3	L3	D3	D4	L	L4	D
12EISTR114034034	1 1/4	1.660	0.91	1.42	3/4	1.050	0.67	0.87	3/4	1.050	0.67	0.87	1.38	3.86	1.69	2.16
12EISTR1140101	1 1/4	1.660	0.91	1.42	1	1.315	0.79	1.10	1	1.315	0.79	1.10	1.77	3.86	1.81	2.16
12EISTR112114034	1 1/2	1.900	0.98	1.69	1 1/4	1.660	0.91	1.42	3/4	1.050	0.67	0.87	1.38	4.57	1.97	2.48
12EISTR11211401	1 1/2	1.900	0.98	1.69	1 1/4	1.660	0.91	1.42	1	1.315	0.79	1.10	1.77	4.57	2.09	2.48
12EISTR112114114	1 1/2	1.900	0.98	1.69	1 1/4	1.660	0.91	1.42	1 1/4	1.660	0.91	1.42	2.16	4.57	2.20	2.48
12EISTR02114034	2	2.375	1.02	2.13	1 1/4	1.660	0.91	1.42	3/4	1.050	0.67	0.87	1.38	5.20	2.24	3.07
12EISTR0211401	2	2.375	1.02	2.13	1 1/4	1.660	0.91	1.42	1	1.315	0.79	1.10	1.77	5.20	2.36	3.07
12EISTR02114114	2	2.375	1.02	2.13	1 1/4	1.660	0.91	1.42	1 1/4	1.660	0.91	1.42	2.17	5.20	2.48	3.07
12EISTR02112034	2	2.375	1.02	2.13	1 1/2	1.900	0.98	1.69	3/4	1.050	0.67	0.87	1.38	5.20	2.24	3.07
12EISTR0211201	2	2.375	1.02	2.13	1 1/2	1.900	0.98	1.69	1	1.315	0.79	1.10	1.77	5.20	2.36	3.07
12EISTR02112114	2	2.375	1.02	2.13	1 1/2	1.900	0.98	1.69	1 1/4	1.660	0.91	1.42	2.17	5.20	2.48	3.07

EloFIT



ITEM: **EISTR**

DESC: SOCKET FUSION REDUCED TEE
PE4710 230PSI SDR11



DRAWING No:
EL10031

SHEET OF
2 2

REV.
0

www.nupiamericas.com - info@nupiamericas.com

All dimensions have to be considered in inches with 5% tolerance if not otherwise mentioned