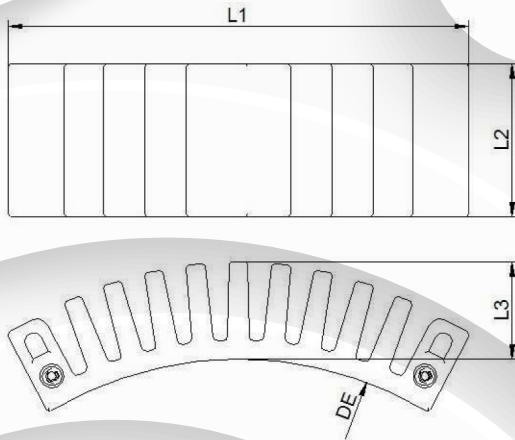




Electrofusion Flex Restraint

Size ranges: 6" IPS/DIPS - 10" IPS/DIPS fusible to SDR 9 - SDR 17
 12" IPS/DIPS - 63" IPS fusible to SDR 9 to SDR 26



Nominal Size	Axial Resistance	L1	L2	L3	Unit Weight	Item Code
6" - 63" IPS / DIPS	11,240 lbs.	7.50"	2.45"	1.56"	0.42 lbs.	200400

6" IPS/DIPS - 10" IPS/DIPS fusible to SDR 9 to SDR 17
 12" IPS/DIPS - 63" IPS fusible to SDR 9 to SDR 26

Number of Restraints Needed for SDR **	6"	8"	10"	12"	14"	16"	18"	20"	24"	28"	30"	32"	36"	42"	48"
SDR 9	2	2	3	4	4	5	7	8	11	15	18	20	25	34	44
SDR 11	2	2	2	3	4	5	6	7	10	13	15	17	21	29	37
SDR 17	2	2	2	2	3	3	4	5	7	9	10	11	14	19	25
Max # of Restraints in Perimeter	3	4	5	6	7	8	9	10	12	14	15	16	18	21	25

** General suggested guidelines. Please confirm with engineer for actual project requirements.**