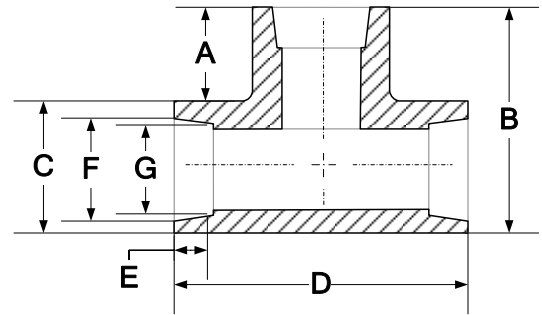


SOCKET FUSION FITTINGS

TEE

FOR REFERENCE ONLY

(SOCKET) IPS & CTS



2

Nominal Pipe Size	A Length ¹	B Length ¹	C Length ¹	D Length ¹	E Socket Length	F Socket Entrance	G Socket Bottom
½" CTS	0.750"	1.925"	1.200"	2.650"	0.625"	.585" ^{+0.010/-0.007}	.575" ^{+0.010/-0.007}
mm	19.05	48.90	30.48	67.31	15.88	14.86	14.61
½" IPS	0.750"	1.925"	1.200"	2.650"	0.575"	.810" ^{+0.005/-0.010}	.804" ^{+0.005/-0.026}
mm	19.05	48.90	30.48	67.31	14.61	20.57	20.42
¾" CTS	0.675"	2.075"	1.425"	2.775"	0.625"	.835" ^{+/-0.010}	.825" ^{+/-0.010}
mm	17.15	52.71	36.20	70.49	15.88	21.21	20.96
¾" IPS	0.675"	2.075"	1.425"	2.775"	0.625"	1.020" ^{+/-0.008}	1.012" ^{+0.008/-0.012}
mm	17.15	52.71	36.20	70.49	15.88	25.91	25.70
1" CTS	0.700"	2.400"	1.725"	3.125"	0.625"	1.075" ^{+/-0.008}	1.070" ^{+0.008/-0.012}
mm	17.78	60.96	43.82	79.38	15.88	27.30	27.18
1" IPS	0.700"	2.400"	1.725"	3.125"	0.685"	1.275" ^{+/-0.008}	1.267" ^{+0.008/-0.012}
mm	17.78	60.96	43.82	79.38	17.40	32.38	32.18
1 ¼" IPS	1.015"	3.300"	2.250"	4.275"	0.875"	1.620" ^{+/-0.008}	1.612" ^{+0.008/-0.016}
mm	25.78	83.82	57.15	108.59	22.23	41.15	40.94
1 ½" IPS	0.950"	3.450"	2.500"	4.450"	0.875"	1.860" ^{+/-0.010}	1.849" ^{+0.010/-0.020}
mm	24.13	87.63	63.50	113.03	22.23	47.24	46.96
2" IPS	1.150"	4.225"	3.075"	5.450"	0.875"	2.335" ^{+/-0.010}	2.324" ^{+0.010/-0.020}
mm	29.21	107.32	78.11	138.43	22.23	59.31	59.03
3" IPS	1.550"	5.950"	4.375"	7.350"	1.000"	3.455" ^{+/-0.015}	3.439" ^{+0.015/-0.025}
mm	39.37	151.13	111.13	186.69	25.40	87.76	87.35
4" IPS	1.975"	7.425"	5.550"	9.565"	1.125"	4.450" ^{+/-0.015}	4.434" ^{+0.015/-0.035}
mm	50.17	188.60	140.97	242.95	28.58	113.03	112.62

¹ All values are nominal dimensions

² Drawing may not be exact representation of product

Note Please contact a Rahn Customer Sales Rep for availability



Rahn Plastics Incorporated
 54 Ferris Dr, North Bay
 Ontario, Canada, P1A 4M3
www.rahnplastics.com

(Local) 1-705-495-6777
 (Toll Free) 1-888-433-0111
 (Fax) 1-866-495-6820