

BUTT FUSION FITTINGS

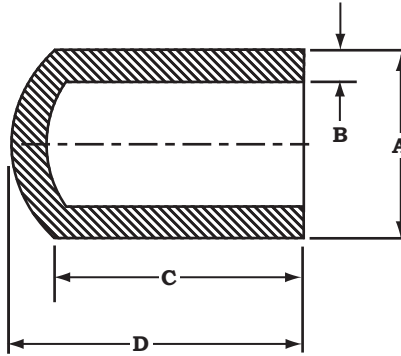


FOR REFERENCE ONLY

Swan Plastics, LLC
6500 North Kickapoo
Shawnee, OK 74804, USA

Phone: (405) 275-4826
Fax: (405) 275-3626

BUTT CAPS (IPS)



| NOMINAL SIZE | DIMENSION A | DIMENSION B | DIMENSION C | DIMENSION D |
|-------------------|-------------|-------------|-------------|-------------|
| 3/4" IPS | 1.050 ±.008 | .095 ±.019 | 2.18 | 2.55 |
| 1" IPS | 1.315 ±.010 | .119 ±.024 | 2.18 | 2.64 |
| 1 1/4" IPS | 1.660 ±.010 | .151 ±.030 | 2.18 | 2.77 |
| 1 1/2" IPS | 1.900 ±.010 | .173 ±.035 | 2.42 | 3.10 |
| 2" IPS | 2.375 ±.010 | .216 ±.043 | 2.50 | 3.34 |
| 3" IPS | 3.500 ±.012 | .318 ±.064 | 2.90 | 4.13 |