

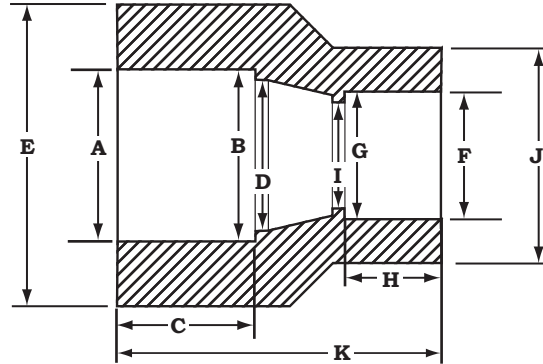
# SOCKET FUSION FITTINGS



FOR REFERENCE ONLY

Swan Plastics, LLC Phone: (405) 275-4826  
 6500 North Kickapoo Fax: (405) 275-3626  
 Shawnee, OK 74804, USA

# SOCKET REDUCERS (IPS)



NOMINAL SIZE	DIM A	DIM B	DIM C	DIM D	DIM E	DIM F	DIM G	DIM H	DIM I	DIM J	DIM K
1" IPS X 3/4" IPS	1.275 ±.008	1.267 <sup>+0.008</sup> / <sub>-0.012</sub>	.720 ±.008	1.070 ±.010	1.770 ±.020	1.020 ±.008	1.012 <sup>+0.008</sup> / <sub>-0.012</sub>	.660 ±.005	.86	1.430 ±.015	1.65
1 1/4" IPS X 3/4" IPS	1.620 ±.008	1.612 <sup>+0.008</sup> / <sub>-0.016</sub>	.900 ±.008	1.420 ±.015	2.295 ±.020	1.020 ±.008	1.012 <sup>+0.008</sup> / <sub>-0.012</sub>	.660 ±.005	.88	1.430 ±.015	2.17
1 1/4" IPS X 1" IPS	1.620 ±.008	1.612 <sup>+0.008</sup> / <sub>-0.016</sub>	.900 ±.008	1.375 ±.015	2.295 ±.020	1.275 ±.008	1.267 <sup>+0.008</sup> / <sub>-0.012</sub>	.720 ±.005	1.11	1.745 ±.015	1.93
1 1/2" IPS X 3/4" IPS	1.860 ±.010	1.849 <sup>+0.010</sup> / <sub>-0.020</sub>	.930 ±.010	1.670 ±.015	2.540 ±.020	1.020 ±.008	1.012 <sup>+0.008</sup> / <sub>-0.012</sub>	.660 ±.005	.90	1.430 ±.015	2.30
1 1/2" IPS X 1" IPS	1.860 ±.010	1.849 <sup>+0.010</sup> / <sub>-0.020</sub>	.930 ±.010	1.670 ±.015	2.540 ±.020	1.275 ±.008	1.267 <sup>+0.008</sup> / <sub>-0.012</sub>	.720 ±.005	1.11	1.745 ±.015	2.16
1 1/2" IPS X 1 1/4" IPS	1.860 ±.010	1.849 <sup>+0.010</sup> / <sub>-0.020</sub>	.930 ±.010	1.670 ±.015	2.540 ±.020	1.620 ±.008	1.612 <sup>+0.008</sup> / <sub>-0.016</sub>	.900 ±.005	1.46	2.280 ±.015	2.06
2" IPS X 3/4" IPS	2.335 ±.010	2.334 <sup>+0.010</sup> / <sub>-0.020</sub>	.975 ±.010	2.175 ±.015	3.620 ±.020	1.020 ±.008	1.012 <sup>+0.008</sup> / <sub>-0.012</sub>	.660 ±.005	.90	1.440 ±.015	2.71
2" IPS X 1" IPS	2.335 ±.010	2.334 <sup>+0.010</sup> / <sub>-0.020</sub>	.975 ±.010	2.055 ±.015	3.620 ±.020	1.275 ±.008	1.267 <sup>+0.008</sup> / <sub>-0.012</sub>	.720 ±.005	1.11	1.750 ±.015	2.25
2" IPS X 1 1/4" IPS	2.335 ±.010	2.334 <sup>+0.010</sup> / <sub>-0.020</sub>	.975 ±.010	2.210 ±.015	3.620 ±.020	1.620 ±.008	1.612 <sup>+0.008</sup> / <sub>-0.016</sub>	.900 ±.005	1.45	2.295 ±.015	2.32
2" IPS X 1 1/2" IPS	2.335 ±.010	2.334 <sup>+0.010</sup> / <sub>-0.020</sub>	.975 ±.010	2.170 ±.015	3.620 ±.020	1.860 ±.010	1.849 <sup>+0.010</sup> / <sub>-0.020</sub>	.920 ±.005	1.69	2.515 ±.015	2.54
3" IPS X 2" IPS	3.455 ±.015	3.439 <sup>+0.015</sup> / <sub>-0.025</sub>	1.190 ±.015	3.140 ±.020	4.850 ±.030	2.335 ±.010	2.324 <sup>+0.010</sup> / <sub>-0.020</sub>	1.005 ±.010	2.07	3.250 ±.020	3.32